

# BEACON RX MK2

## INFRARED LAP TRIGGER RECEIVER



### DESCRIPTION

The NS BEACON RX is a coded infrared lap trigger receiver. When used in combination with the NS BEACON TX infrared lap trigger receiver, it generates accurate and reliable end of lap signal.

Very fast TX signal decoding thanks to the microcontroller running at 30 Mhz.

### FEATURES

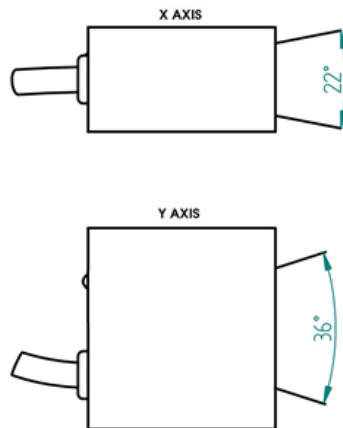
- Small dimension
- Light weight
- Machined aluminum body
- 8ms fast decoding time

### CONTENTS

IR Receiving features	2
Electric characteristics	2
Lap signal characteristics	2
Connector Pin-Out	3
Dimension and weight	3
Ordering information	4

### INFRARED RECEIVING FEATURES

RECEIVING ANGLE ( X AXIS )	+/- 11	°
RECEIVING ANGLE ( Y AXIS )	+/- 18	°



### ELECTRIC CHARACTERISTICS

MAXIMUM SUPPLY VOLTAGE	16	V
MAXIMUM SUPPLY VOLTAGE	9	V
MAXIMUM SUPPLY CURRENT @ 13 Volts	<100	mA

### LAP SIGNAL CHARACTERISTICS

RECEIVED SIGNAL DECODING TIME	8	ms
RECEIVED SIGNAL DECODING DISTANCE @ 360 km/h	0,8	m
END OF LAP SIGNAL LENGTH	2000	ms
END OF LAP SIGNAL HIGH LEVEL (Note 1)	5	V
END OF LAP SIGNAL LOW LEVEL (Note 1)	0	V
END OF LAP SIGNAL PULL UP RESISTOR (Note1)	1000	Ohm

Note 1: Values refer to standard version, open collector output version also available.

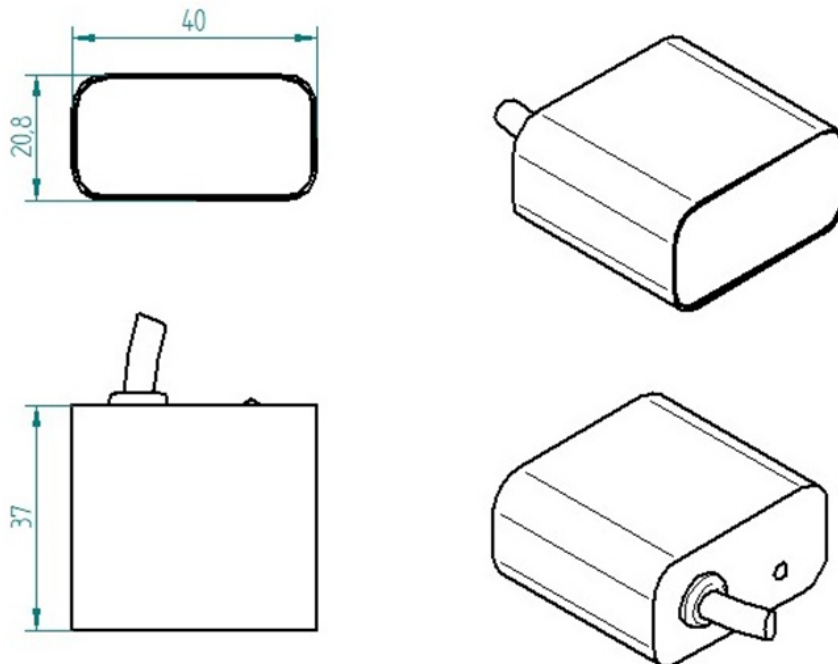
### CONNECTOR PIN-OUT

<b>CONNECTOR TYPE</b> (Note2)	Deutsch DTM 04 3P	
<b>BATTERY POSITIVE</b> (Note2)	1	
<b>BATTERY GROUND</b> (Note2)	2	
<b>OUTPUT SIGNAL</b> (Note2)	3	

<b>CABLE LENGHT</b> (Note2)	230	mm
-----------------------------	-----	----

Note 2: Values refer to standard version, other version upon customer request.

### DIMENSION AND WEIGHT



<b>TOTAL WEIGHT</b>	43	grams
---------------------	----	-------

