

# BEACON TX MK2

## INFRARED LAP TRIGGER TRANSMITTER



### DESCRIPTION

The NS BEACON TX is a coded infrared lap trigger transmitter. When used in combination with the NS BEACON RX infrared lap trigger receiver, it generates accurate and reliable end of lap signal.

The 36 infrared emitting diodes in GaAIAs technology permit to reach long distance range.

### FEATURES

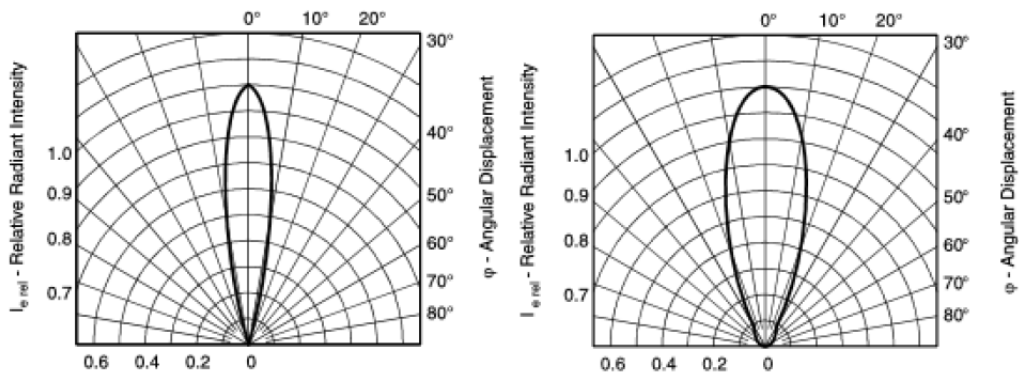
- High emission power
- Long emission range
- Waterproof body
- 16 bit coded transmission

### CONTENTS

IR Emission characteristics.....	2
Electric characteristics.....	2
Transmission Code Setting.....	3
Connector Pin-Out.....	3
Dimension and weight.....	3
Ordering information.....	4

### INFRARED EMISSION CHARACTERISTICS

<b>TOTAL NUMBER OF LED</b>	36	
<b>PEAK WAVELENGTH</b>	940	mm
<b>EMISSION RANGE</b>	>25	m
<b>EMISSION ANGLE ( 12 CENTRAL LED )</b>	+/- 10	°
<b>EMISSION ANGLE ( 24 LATERAL LED )</b>	+/- 17	°



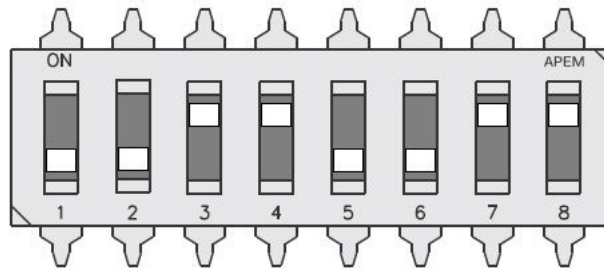
### ELECTRIC CHARACTERISTICS

<b>MAXIMUM SUPPLY VOLTAGE</b>	15	V
<b>MINIMUM SUPPLY VOLTAGE</b>	10	V
<b>RECOMMENDED SUPPLY VOLTAGE (Note 1)</b>	>11,5	V
<b>MAXIMUM SUPPLY CURRENT @ 13 Volts</b>	0,44	A
<b>BATTERY LIFE (18 Ah @ 25° C)</b>	>28	Hours

Note 1: Lower supply voltage reduces emission range.

### TRANSMISSION CODE SETTING

The transmission code is 16 bit long, 8 of these can be set with the deep switch. The position 8 of the deep switch represents the LSB ( Last Significant Bit ).

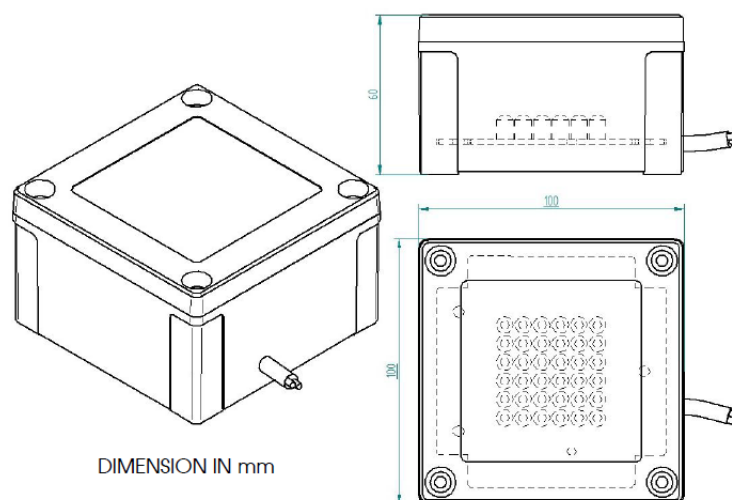


The picture shows how to set the deep switch to send 0x33, 00110011

### CONNECTOR PIN-OUT

<b>BATTERY POSITIVE</b>	Red open lead
<b>BATTERY GROUND</b>	Black open lead

### DIMENSION AND WEIGHT



DIMENSION IN mm

<b>TOTAL WEIGHT</b>	235	grams
---------------------	-----	-------

### ORDERING INFORMATION

BTXMK2

-

XXX

-

XXX

**CUSTOMER CUSTOMIZATION**

000 - Standard version

**POWER LEAD**

000 - RED and BLACK open lead

001 - 6.3 mm Faston

002 - M6 Ring

**MODEL**



Picture shows the complete TX and RX kit