

BEACON TX MK2

INFRARED LAP TRIGGER TRANSMITTER



DESCRIPTION

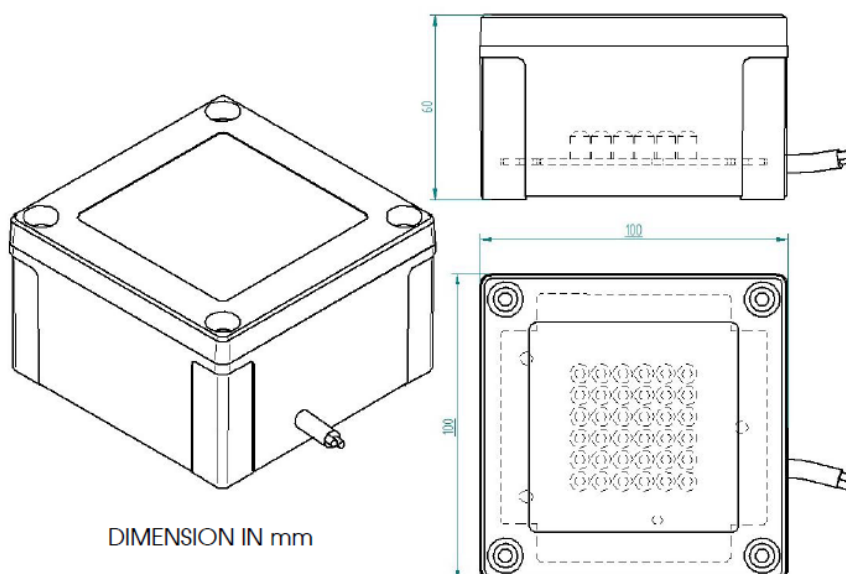
The NS BEACON TX is a coded infrared lap trigger transmitter. When used in combination with the NS BEACON RX infrared lap trigger receiver, it generates accurate and reliable end of lap signal.

The 36 infrared emitting diodes in GaAlAs technology permit to reach long distance range.

FEATURES

- High emission power
- Long emission range
- Waterproof body
- 16 bit coded transmission

DIMENSIONS & WEIGHT



TOTAL WEIGHT	235	grams
---------------------	------------	--------------