

# CAR2WEB

## 4G Telemetry System



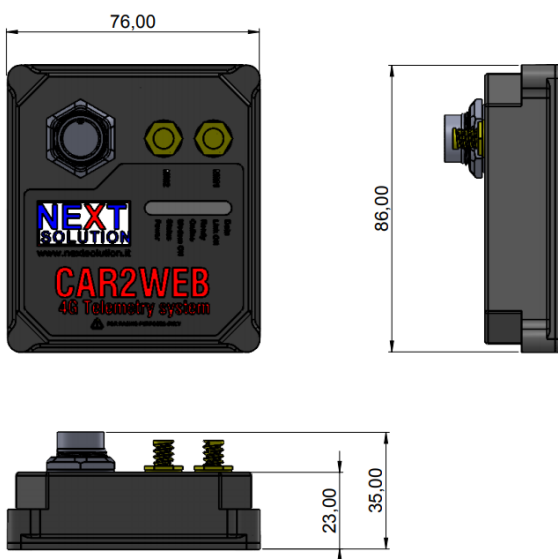
### DESCRIPTION

CAR2WEB is a 4G telemetry system able to connect the vehicle to the WEB, the data collected via RS232 or CAN BUS by the unit will be available to the user through a server. If C2W is connected to an existing data logger via RS232, data will be accessible to the user using the specific Real Time software supplied by the logger manufacturer ( i.e. Magneti Marelli, Bosch, etc.). If no Real Time data logger is present on the vehicle then C2W can be connected to the CAN BUS and it can stream up to 25 different IDs sampled at 10 or 20 Hz. Real Time will be available using our Real Time software C2W viewer. C2W comes with an integrated sim card offering worldwide connection through hundreds of local operators, our software Telemetry Manager makes the user able to manage all the features related to the telephone network.

### FEATURES

- RS232 Link up to 115200 baud
- CAN BUS Link up to 1 Mbit/s
- 4G MIMO connectivity
- 3G/2G fall back
- Full automatic network connection process
- On line status monitoring and self-reconnection algorithm
- Internal modem: Americas or rest of the World
- Integrates SIM cards with traffic plan for Europe or World
- Robust IP67 aluminium body

### DIMENTIONS & WEIGHT



TOTAL WEIGHT	139	grams
--------------	-----	-------

\*Dimensions in mm