

# PIT TIMER MK2

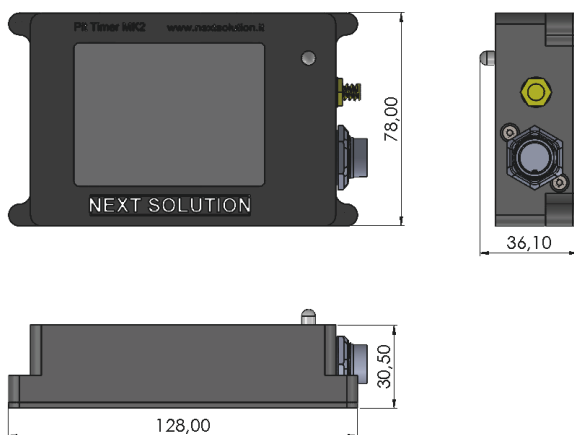


## DESCRIPTION

These are PIT Timer many functions:

- Entry recognition by GPS or External Beacon
- Entry to Team Garage Distance showed live to help driver to approach pit
- Speed indication
- Entry to Pit Out TIME count down
- Restart Time count down to ease the driver to leave the pit at the right moment
- At the restart immediate indication if the driver will respect the mandatory pit stop time
- Green or Red light indication to help the driver in match perfectly the mandatory pit stop time
- Stint Lap Number, Length and Lap time shown when car is not in the pit

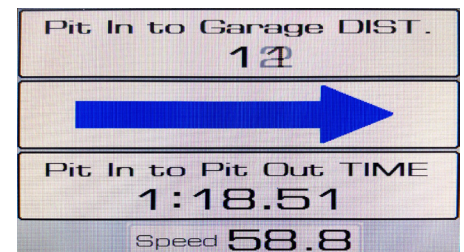
## DIMENSIONS & WEIGHT



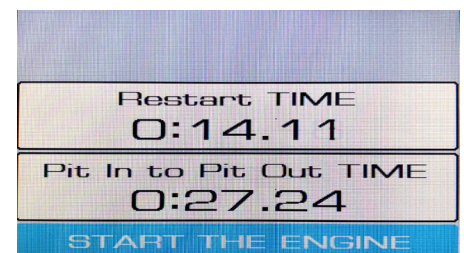
TOTAL WEIGHT	290	grams
--------------	-----	-------

## FEATURES

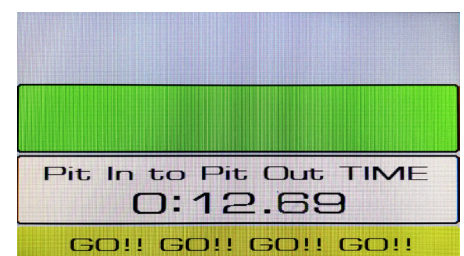
- Integrated 20 Hz GPS
- 3.5 TFT Backlighted Colour Display
- CAN-BUS Connectivity
- Rugged aluminium case
- PC-Based Configuration Software



Approaching team garage



Preparing to leave the garage



Leaving the garage